

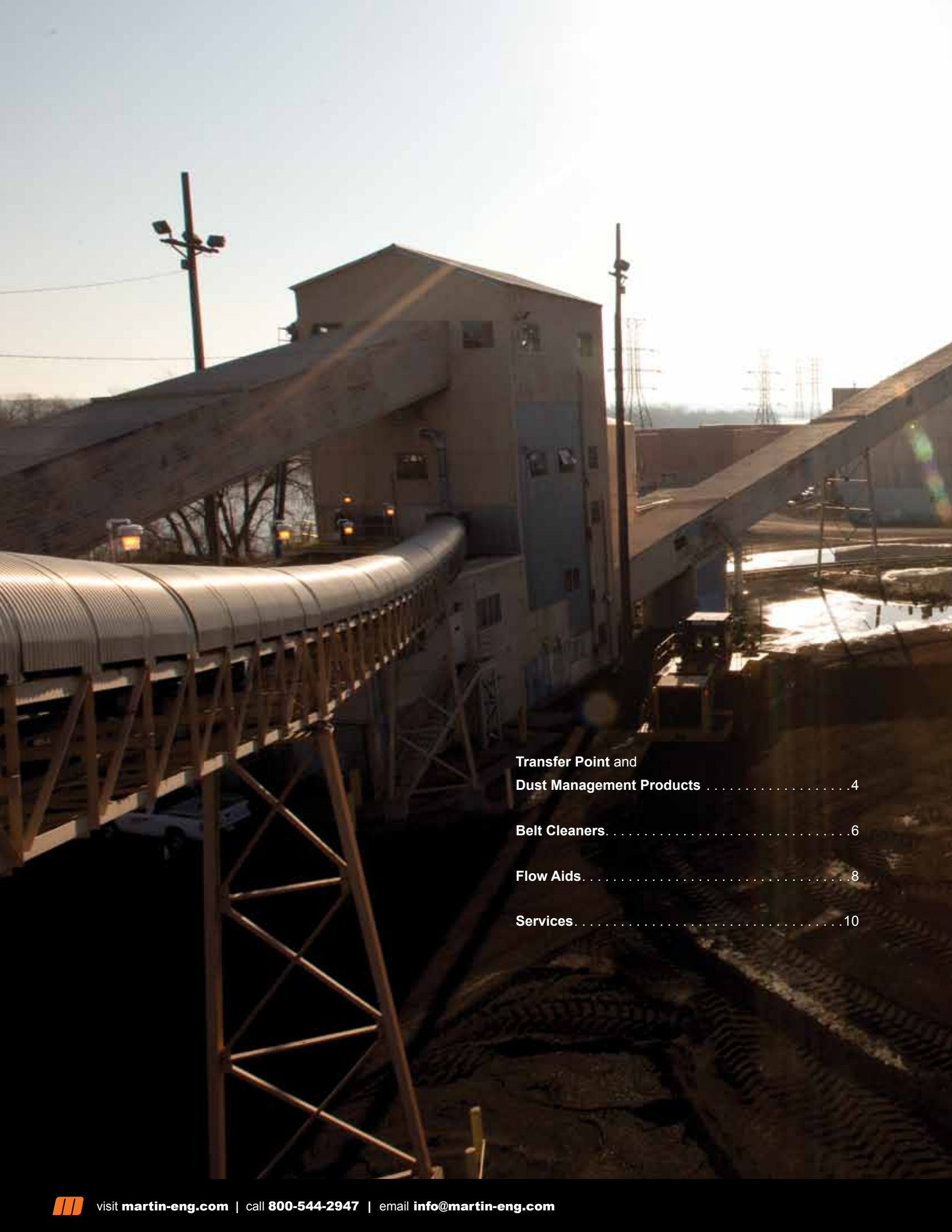


# COAL-FIRED POWER

MARTIN PRODUCTS FOR THE COAL-FIRED POWER INDUSTRY

L3945





<b>Transfer Point and Dust Management Products</b> .....	4
<b>Belt Cleaners</b> .....	6
<b>Flow Aids</b> .....	8
<b>Services</b> .....	10





## **MARTIN ENGINEERING OFFERS THE PRODUCTS AND SERVICES FOR ALL COAL-FIRED POWER INDUSTRY NEEDS.**

For clean coal handling from mine to furnace turn to Martin Engineering. Eastern coal, Illinois coal, PRB or blended: whatever its source, Martin Engineering can help you handle it—cleanly, safely and more productively.

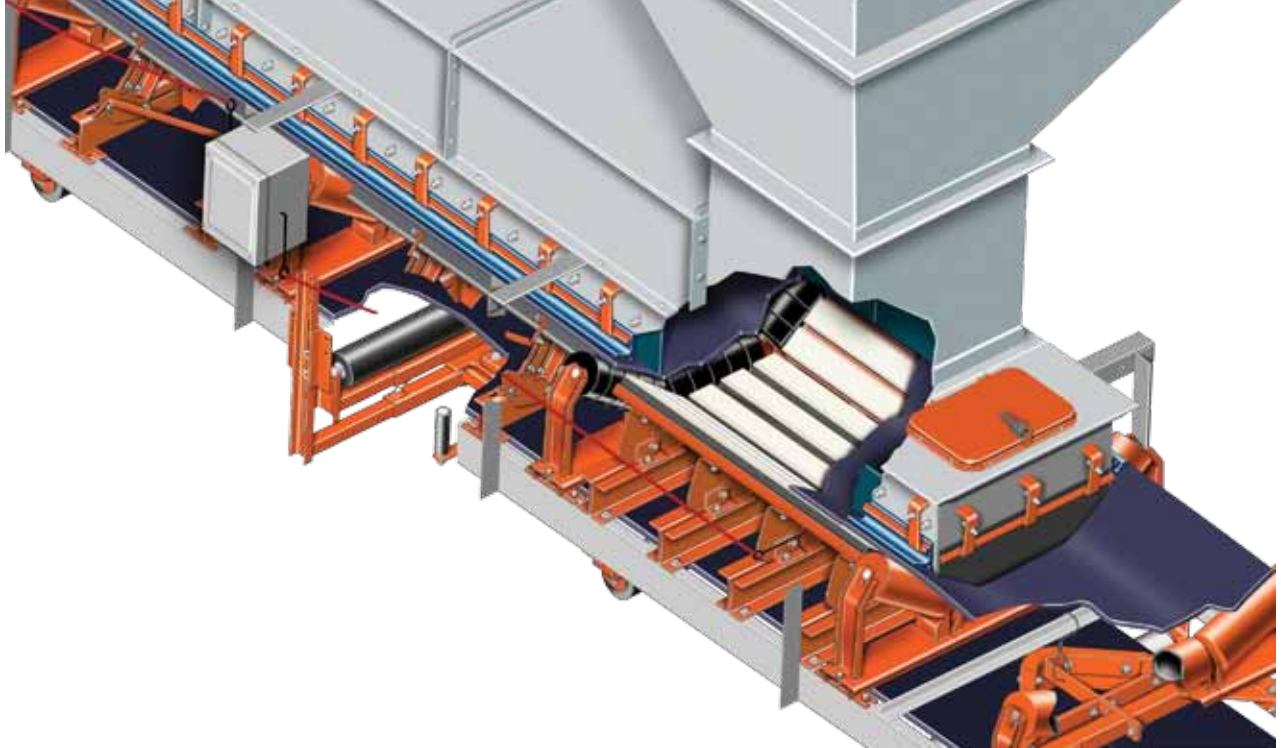
From the barge unloader or railcar dump through the coal yard to the bunkers that feed the boiler, Martin Engineering products and services keep power plant coal handling clean, safe and productive. We serve every area in the coal-fired power generation process around the world.

And behind our great products are great people. Our global team of experts work together to produce and manufacture high quality products that deserve the Martin seal of approval. Our service technicians have extensive experience in bulk material handling. Our

product engineers and development team work side by side with our sales and service leaders to share innovative ideas within our corporate community around the globe and to help facilitate the development of new products that help our customers succeed.

This experience and expertise makes Martin Engineering the leader in bulk material handling solutions. We have the expertise to make your operation as efficient and productive as possible.

With Martin Engineering technologies, the coal-fired power industry gets greater availability, more output and fewer headaches. And our people are there, too—working alongside our customers to help them work efficiently and productively while doing the utmost to protect the health and safety of workers.



## TRANSFER POINT PRODUCTS

The loading zone is critical to the successful operation of any coal handling belt conveyor. Martin Engineering's Transfer Point Systems upgrade belt conveyors by eliminating dust and spillage, reducing

**Upgrade belt conveyors by eliminating dust and spillage, reducing maintenance, extending component life and improving conveyor performance.**

maintenance, extending component life and improving conveyor performance.

Martin® Transfer Point Products includes low-maintenance skirtboard sealing systems, rugged impact cradles to absorb loading zone energy, belt support cradles to stabilize

the conveyor's path, tracking devices to steer the belt to the proper line and sealing systems to minimize dust and material loss.

Martin Engineering has transfer point products that improve performance by stabilizing the belt line and preventing spillage and keeping conveyor belts aligned. Our EVO® transfer point products are track-mounted to simplify installation and maintenance.

Martin can also help you control airborne dust to improve regulatory compliance, working conditions and community relations. Our Dust Fighter™ products solve the problem of airborne dust by keeping fine particles in the load or by returning them to the main material body. Our Dust Fighter™ products include systems and components for dust collection and dust suppression.

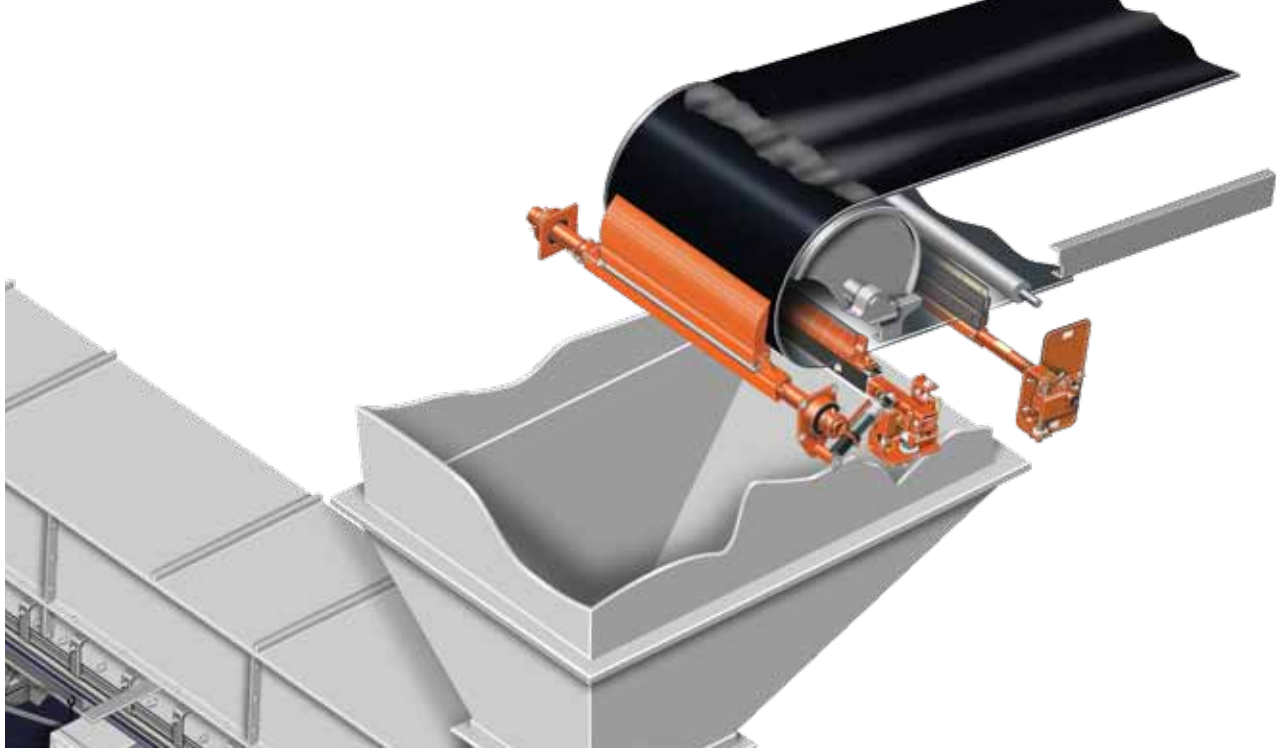
### Problem Solved™

The City of Ames Power Plant had problems with fugitive materials due to the general deterioration of their coal conveying system. To refurbish the coal handling system, Martin rebuilt the system including two belt feeders and two conveyors, in addition to their respective loading and discharge points; all while the plant was still running. The plant superintendent was pleased with the outcome of the project and was impressed with Martin's flexibility in allowing the plant to remain functional.





▲ Martin® Transfer Point Products stabilize the belt line and prevent spillage, while keeping the conveyor belt aligned.



## BELT CLEANERS

To prevent carryback and the expensive problems it can cause, Martin offers the most comprehensive line of belt cleaners, incorporating patented designs and industry-leading materials. Many of our primary cleaners are specifically designed for challenging applications like coal handling, and are tough enough for harsh conditions without compromise or overkill.

For wider, high tonnage belts, our QC™ (Quick Change) line incorporates a rugged belt cleaner blade and sturdy mainframe.

**Martin® Belt Cleaners prevent carryback and the many expensive problems it causes.**

These belt cleaners are designed for rugged conditions, and feature a one-pin blade change, making replacement of a worn blade a one-minute, no-tool procedure.

Our SHD and ZHD cleaners offer advanced engineering and formidable construction for effective cleaning, low maintenance and long life under the world's toughest conveying conditions. These belt cleaners were built for the widest, fastest, most heavily-loaded belts in the world.

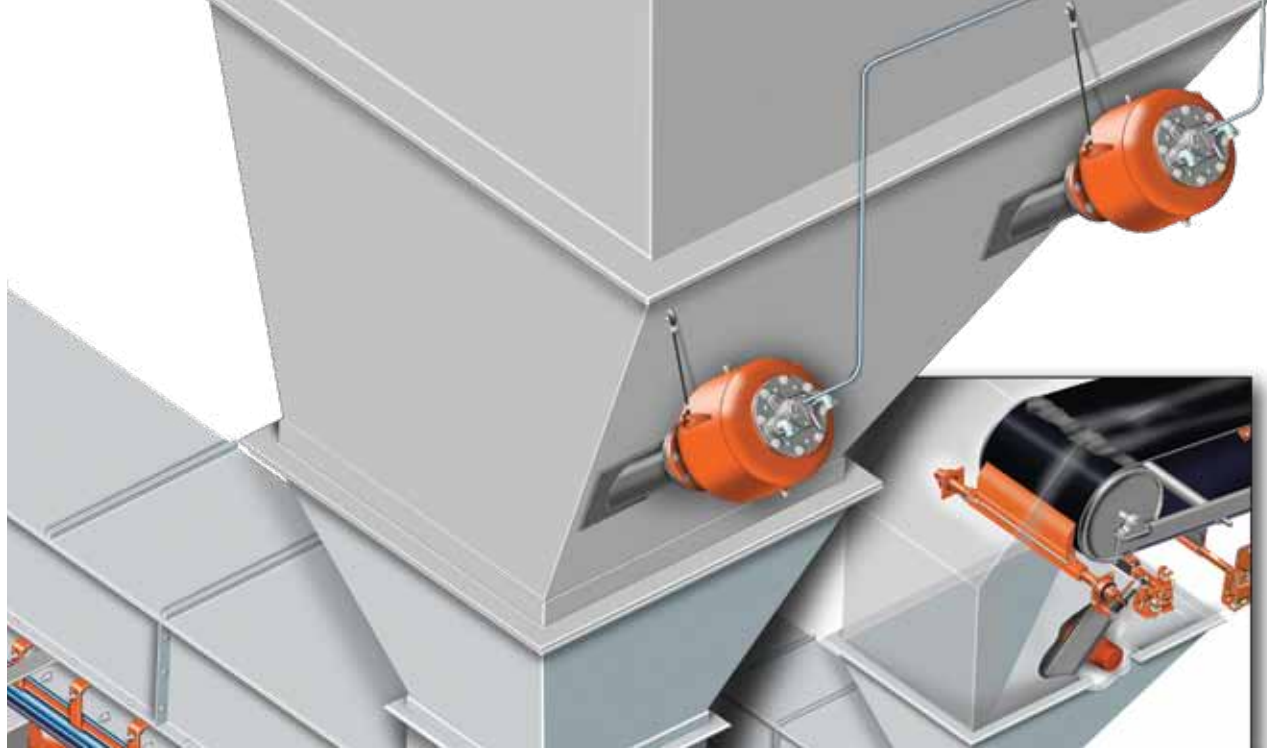
Our cartridge-mount secondary cleaners offer a safe and easy removal procedure. Their compact secondary design allows installation in close quarters and the narrow profile resists material buildup.

### Problem Solved™

Coal handling conveyors at the new Millmerran Power facility incorporated belt cleaners supplied by Martin's Australia licensee ESS. Martin® primary cleaners and secondary cleaners with tungsten carbide blades were installed. Martin and ESS worked closely to meet the project requirements, across corporate lines and international borders. All recognized the value of utilizing a supplier's global network as a resource on multinational projects.







## FLOW AIDS

Martin® Flow Aids eliminate hang-ups and boost the flow of coal from storage, and through chutes and feeders.

To prevent buildups and blockages in large-scale storage and process vessels, our Air Cannons are the answer. Air cannons use controlled

**Martin® Flow Aids eliminate hang-ups and boost the flow of coal from storage, and through chutes and feeders.**

discharges from a reservoir of compressed air to boost material movement. Martin pioneered and patented the air cannon and today leads the industry in the development and application of these effective, economical-to-operate systems.

Using the power of applied vibration, Martin® Vibration Technologies energize material, reducing friction against container walls as well as internal particle-to-particle cohesion. The material moves more freely, feeds more effectively, sorts more consistently, compacts more efficiently and handles more easily.

Martin's flow aid technology maintains designed air/material flow to lower operating and maintenance costs, while improving equipment proficiency. The combination of flow aid technologies allows Martin to provide a complete solution to ensure maximum process efficiency.

### Problem Solved™

At the F.B. Culley Generating Station in Newburgh, Indiana, Martin installed a new vibrator and channel mount to a vibrating feeder pan to improve coal feeding from the chute. The installation included new stainless steel chute linings and two electric vibrators on channel mounts, installed by MartinPLUS® Installation Services.







▲ Martin® Flow Aids knock down buildups and eliminate hang-ups.



## SERVICES

Martin Engineering offers a comprehensive selection of in-plant services, all focused on improving the handling of bulk materials. These specialized capabilities will impact the productivity of an operation and improve the bottom line.

New construction or retrofit, from belt cleaners to engineered belt-to-belt transfers; **MartinPLUS® Installation** handles the installation of material handling systems and components. Focus and experience

**Martin services focus on improving the handling of bulk materials to improve productivity and the bottom line.**

with material handling systems makes certain project completion is on-time, on-spec and on budget.

**MartinPLUS® Specialized Maintenance** teams take ownership for the maintenance

of your belt conveyors and other systems, with standard packages and customization opportunities to meet your requirements.

**MartinPLUS® Process Improvement** looks for the opportunities that will make a critical difference in your terminal's performance and profitability. By analyzing your material and assessing your system, we can make a critical difference in moving your operation to the next level.

### Problem Solved™

Georgia Power's Yates Plant suffered from extensive spillage, the coal-conveying system needed an extensive upgrade. MartinPLUS® Service technicians installed the new system and handle the ongoing maintenance of the equipment. Craig Fowler, Fuels Group Leader for the plant said "When I find a supplier with that level of service, I know the equipment is going to keep working and I know that I can depend on them. For me, it's the service that makes the difference."







#### GLOBAL LOCATIONS



UNITED STATES



AUSTRALIA



BRAZIL



CHINA



FRANCE



GERMANY



INDIA



INDONESIA



MEXICO



PERU



SPAIN



SOUTH AFRICA



TURKEY



UNITED KINGDOM

Authorized representatives in over 32 additional countries

#### MARTIN ENGINEERING USA

One Martin Place

Neponset, IL 61345-9766 USA

800-544-2947 or 309-852-2384

[info@martin-eng.com](mailto:info@martin-eng.com)

[www.martin-eng.com](http://www.martin-eng.com)

Part No. L3945-12/12

Patents and patents pending © Registered trademark of Martin Engineering Company in the US and other select locations. © 2012 Martin Engineering Company.